

POWER 1AC 48-10 ECO

Single Phase DIN Rail Power Supply 48V DC / 10A - Eco Series



Basic Function DIN rail Power Supply with Ultra Slim Dimensions

POWER 1AC 48-10 ECO is a switched-mode power supply from the SALZ Automation ECO series are ideally suited for most applications in industry as well as in commercial and residential buildings. The product can be used for simple machines and applications where extreme compactness is required. POWER 1AC 48-10 ECO stands out with its compact design. This single-phase power supply with a rated power of 480W has an input voltage of 90-264V AC and an output voltage of 48V DC/10A. The input is located at the bottom of the device and the outputs at the top. The output of the power supply can be regulated using the potentiometer situated at the front of the product. The product has a power boost of 150% for the first 5 seconds as well as integrated overload, short circuit, overvoltage, and undervoltage protection. The metal housing is mounted by snapping onto a DIN rail. Access to additional documentation is made easy via a QR code on the device. Due to the multitude of existing product standards and certifications, it is suitable for international use.

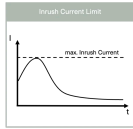
ORDER DETAILS

Function: Primary-switched/Regulated power supply, Input: 1-phase 90 ... 264 V AC, Output: 48 V DC/10 A, 480W, Power Boost: 150% for 5 sec.

SKU/Order No.: SA-PE1A-48-10-00

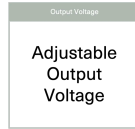


Features



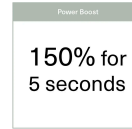
Built-in Inrush Current Limiting

Thermistor (POWER 1AC 24-5), thyristor technique (POWER 1AC 24-10) or active power relay circuit (POWER 1AC 24-20 / 48-10) is used in the inrush current limiting circuit.



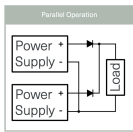
Adjustable Output Voltage with Potentiometer

To increase an output voltage, turn a built-in potentiometer clockwise. To decrease the output voltage, turn it counterclockwise.



Power Boost 150%

A power boost of 150% for 5 seconds means that the power supply can temporarily deliver 150% of its rated output power for a short duration, specifically for 5 seconds. This feature is useful in applications where the connected load occasionally requires more power than the normal operating conditions.



Parallel Operation

To increase availability you can use the Power Supply in parallel operation mode. Please use our POWER DIODE modules in this application.



Ultra Slim Dimensions

To save space in your control cabinet, our power supplies are designed to reduce size.



Cost Effective

Perfect price-performance ratio with long lifetime

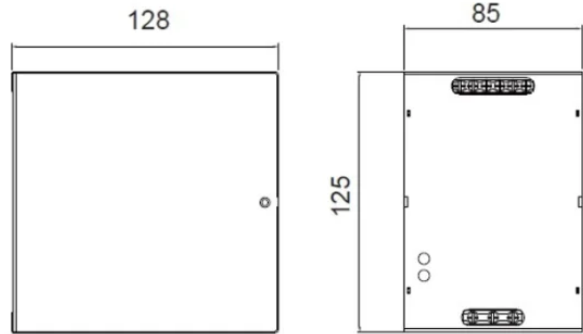


DC OK LED

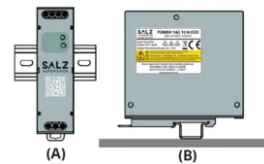
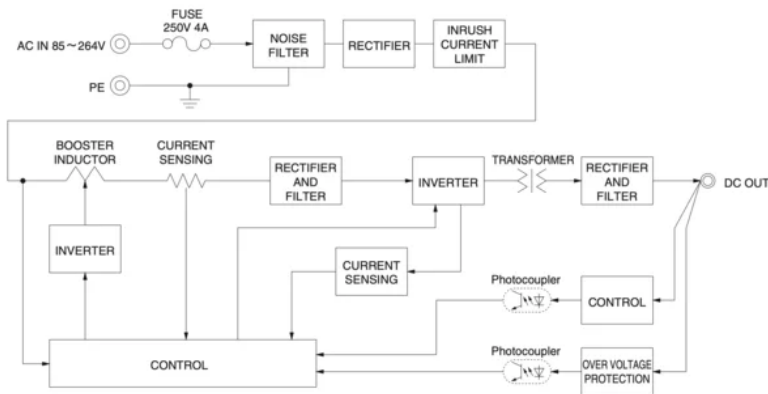
If output voltage is decreasing the DC OK LED turns off. In "normal" output voltage condition the LED is on.

Mechanical Dimensions

• POWER 1AC 48-10 ECO x 1



Drawings



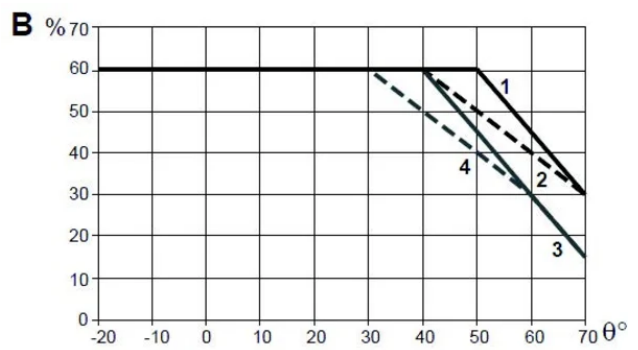
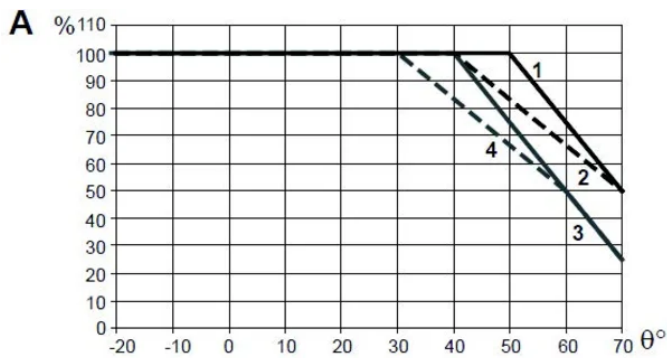
θ°: Surrounding air temperature
 %: Percentage of maximum load

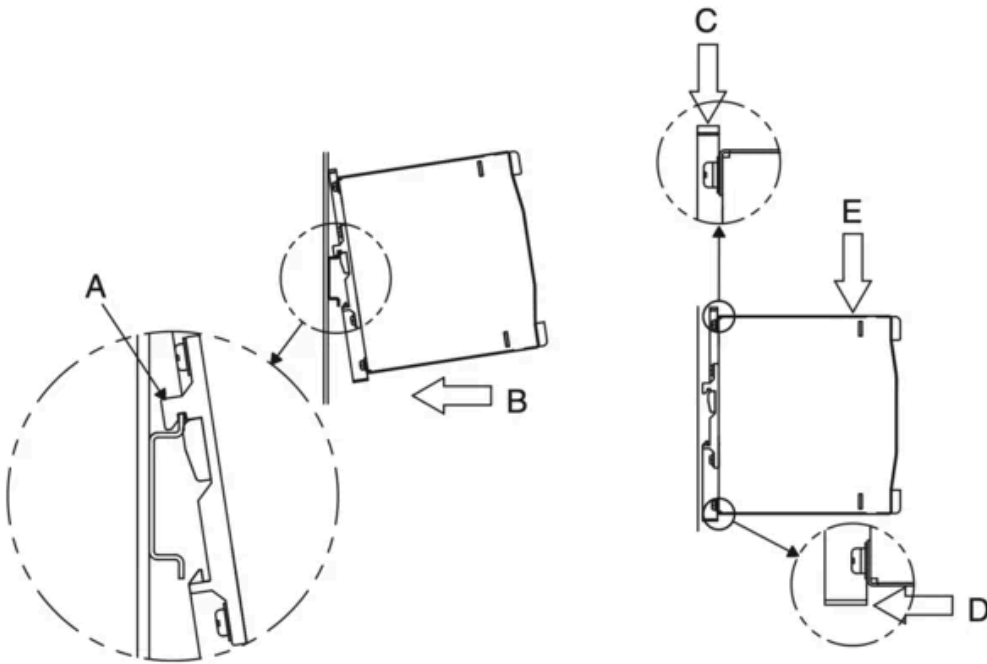
1: ≤ 2000 m (6561 ft), ≈ 230 V / ≈ 325 V

2: ≤ 2000 m (6561 ft), ≈ 115 V / ≈ 162 V

4: ≤ 5000 m (16404 ft), ≈ 230 V / ≈ 325 V (IEC/UL 62368-1)

5: ≤ 5000 m (16404 ft), ≈ 115 V / ≈ 162 V (IEC/UL 62368-1)





DIN-rail mounting of POWER SUPPLIES

Technical Data

Input Data

Input Voltage Range AC	90 ... 264 V AC
Input Current (typ.)	2.4 A (230 V AC), 4.85 A (115 V AC)
Frequency	47 ... 63 Hz
Efficiency (typ.)	92 %
Power Factor (cos φ)	PF>0.98 (115VAC), PF>0.94 (230VAC)
Inrush Current (typ.)	35 A (230 V AC), 20 A (115 V AC)

Output Data

Output Voltage	48 V DC
Output Voltage Range	43.2 ... 55.2 V DC
Output Current	10 A
Line Regulation	$\pm 0.5\%$
Load Regulation	$\pm 1\%$
Ripple (typ.)	150mVp-p
Ripple Noise (typ.)	150mVp-p
Power Output	480W
Power Boost	150% for 5 sec.

Protection Circuit

Overcurrent Protection	Works over 105 ... 160% of rated current and recovers automatically
Overvoltage protection	56 ... 65 V
DC OK Signalling	LED (Green)
Over Temperature Protection	Shut Down, Auto Recovery

Isolation

Input/Output Isolation (at room temperature)	AC 3,000 V 1 minute, Cutoff current = 10 mA, DC 500 V 50 M Ω min
----------------------------------------------	-------------------------------------------------------------------------

Input/PE Isolation (at room temperature)	AC 2,000 V 1 minute, Cutoff current = 10 mA, DC 500 V 50 MΩ min
Output/PE Isolation (at room temperature)	AC 500 V 1 minute, Cutoff current = 100 mA, DC 500 V 50 MΩ min
Output/RC, DC OK Isolation (at room temperature)	AC 500 V 1 minute, Cutoff current = 100 mA, DC 500 V 50 MΩ min

Ambient Condition

Ambient Temperature (operating)	Operating -20°C ... 70°C, > 50°C de-rating, 50% at 70°C
Ambient Temperature (start-up type tested)	-40 °C
Ambient Temperature (storage/transport)	-40°C ... +85°C
Operating Humidity (non-condensing)	20 ... 95 % RH
Storage Humidity (non-condensing)	10 ... 95 % RH
Vibration	10 ... 55 Hz, 19.6 m/s ² (2G), 3 minutes period, 60 minutes along Z axis (Non operating, mounted on DIN Rail)
Impact / Shock	147m/s ² , 11ms, test in operating mode. Testing number of shock: 3 shocks per direction, ±x,y,z in totally it is 18 shocks.(IEC 60068-2-27)
Degree of Protection	IP20
Operating Altitude (max. above sea level)	up to 5000 meters, (derating form 2000 to 5000 meters), 3.5°C/per kilometer without fan

Mechanical Data

Tightening Moment (min. / max.)	max. 1 Nm
Housing	Metal
Mounting DIN Rail according EN 60715	TH35
Weight (typ.)	450 g
Cooling Method	Convection

Lifetime

MTBF (Telcordia) at 25°C	1,041,600 h (100 % Load)
--------------------------	--------------------------

Dimensions

Width (mm)	85.5 mm
Depth (mm)	128,5 mm

Height (mm)	125.2 mm
-------------	----------

Commercial Data

Customs Tariff Number	85044030
-----------------------	----------

Standards and Regulations

Degree of Pollution	2
---------------------	---

Characteristics

Earth Leakage Current	<2 mA / 240 V AC
Max. Rise Time	100 ms (230 V AC), 100 ms (115 V AC)
Start-up with Capacitive loads	2200 µf (75/120 W), 5000 µf (240/480 W) , 8000 uF (960 W)