



Part no.	IX2202
Product Name	Pentaband antenna magnetic mount with 2m cable
Feature	2 meter cable SMA(M) 600 MHz to 6000 MHz Magnetic mount Superior Super Magnet – Neodymium N35 RoHS Compliant

Electrical

Band	Frequency (MHz)	Efficiency (%)*	Average Gain (dBi)*	Peak Gain (dBi)*
5G NR/4G Band 71	617-698	21.9	-6.59	-1.63
4G/3G Band 12, 13, 14, 17, 28, 19	698-806	27.7	-5.58	0.59
4G/3G/NB-IoT/Cat M Band 5,8,18,19,20,26,27	824-960	25.0	-6.02	-0.45
5G NR/4G Band 21, 32, 74, 75, 76	1427-1518	21.6	-6.66	-1.33
4G/3G Band 1, 2, 3, 4, 9, 23, 25, 35, 39, 66	1710-2200	18.8	-7.27	-1.51
4G/3G Band 7,30,38,40,41	2300-2690	17.6	-7.55	-2.67
5G NR/4G Band 22,42,48,77,78,79	3300-5000	16.7	-7.78	-1.08
LTE5200/Wi-Fi5800	5150-5925	8.8	-10.58	-2.98

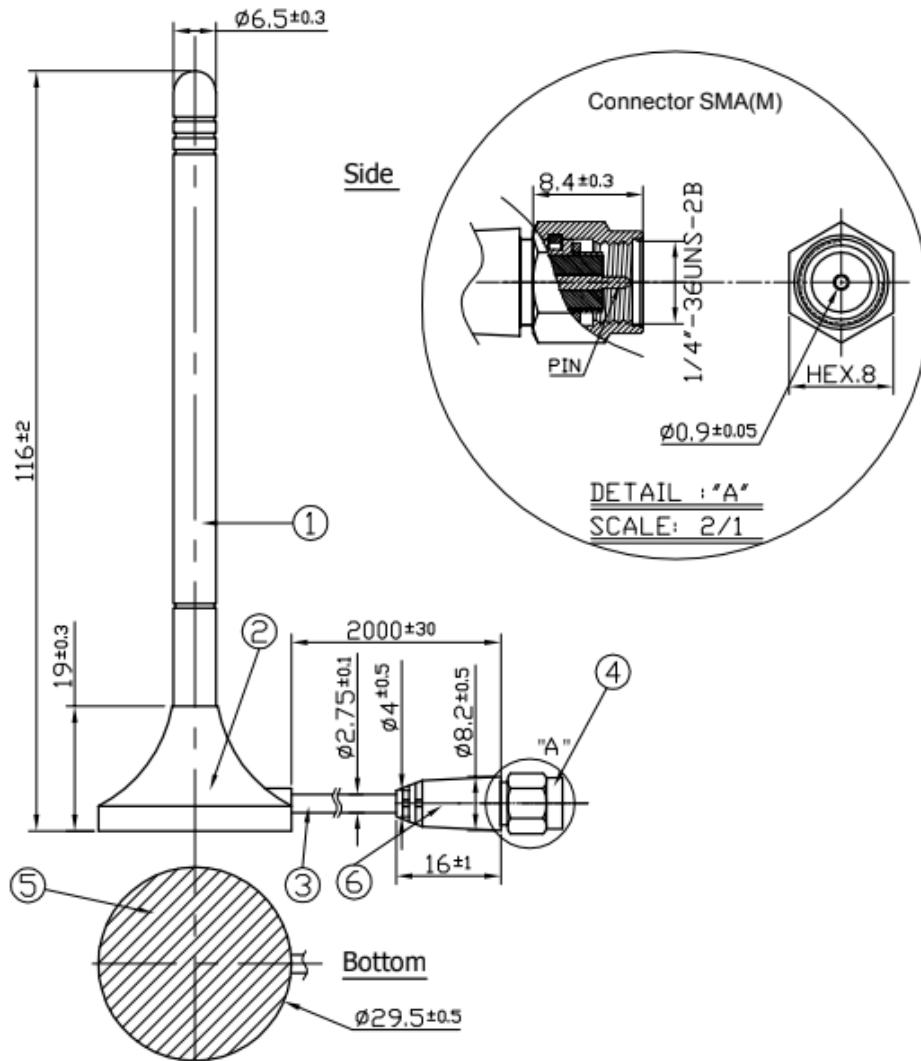
*in free space

Impedance	50 Ω
Polarization	Linear
Radiation Pattern	Omni-directional
Max Input Power	2 W
Cable length	2 m

Environmental

Temperature range	-40°C to 85°C
Casing	Non-condensing 65°C 95% RH

Mechanical drawing (unit:mm)



	Name	Material	Finish	QTY
1	GA.107 Antenna Housing	TPU	Black	1
2	Holder	ABS	Black	1
3	RG174	PVC	Black	1
4	SMA(M)	Brass	Gold	1
5	Sticker	Polyester	White	1
6	Strain Relief Bushing	PE	Black	1

IXON makes no warranties based on the accuracy or completeness of the contents of this document and reserves the right to make changes to specifications and product descriptions at any time without notice. IXON reserves all rights to this document and the information contained herein. Reproduction, use or disclosure to third parties without express permission is strictly prohibited. Copyright © IXON B.V.