



*Cable can differ from picture*



---

<b>Part no.</b>	IX2211
<b>Product Name</b>	Wi-Fi antenna screw mount with 3m cable, IP67
<b>Feature</b>	3 meter RG-316 cable RP-SMA(M) Low profile, height just 48 mm and diameter 50 mm Heavy duty screw mount UV and vandal resistant ABS housing and thread 617MHz to 806MHz, 824MHz to 960MHz, 1427MHz to 1518MHz, 1710MHz to 2200MHz, 2400MHz to 2500MHz, and 1710 to 2690 MHz IP67 compliant CE certified RoHS & REACH compliant

---

## Electrical

Band	Frequency (MHz)	Efficiency (%)*	Average Gain (dBi)*	Peak Gain (dBi)*
5G NR/4G Band 71	617-698	24.2	-6.17	1.18
4G/3G Band 12,13,14,17,28,29	698-806	31.0	-5.08	1.73
4G/3G/NB-IoT/Cat M Band 5,8,18,19,20,26,27	824-960	33.9	-4.70	1.93
5G NR/4G Band 21,32,74,75,76	1427-1518	27.5	-5.60	0.91
4G/3G Band 1,2,3,4,9,23,25,35,39, 66	1710-2200	31.1	-5.07	1.44
Wi-Fi 2400	2400-2500	30.0	-5.30	0.65
4G/3G Band 7,30,38,40,41	2300-2690	30.7	-5.13	0.76

\*in free space

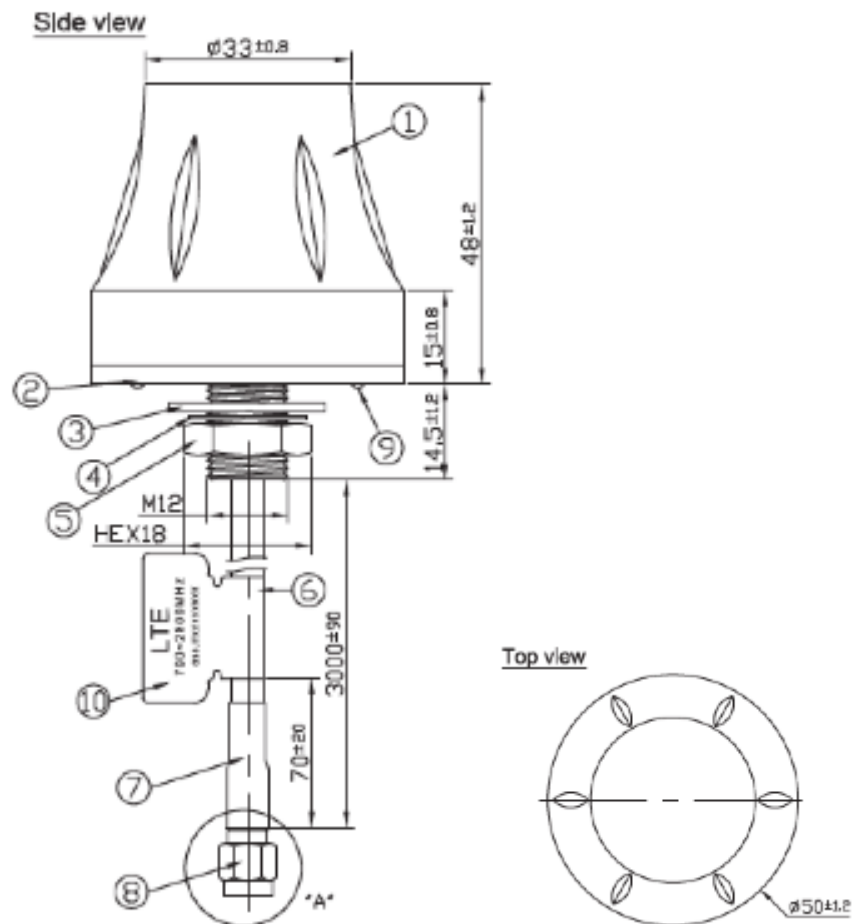
<b>Impedance</b>	50 $\Omega$
<b>Polarization</b>	Linear
<b>Radiation Pattern</b>	Omni-directional
<b>Max Input Power</b>	2 W
<b>Cable length</b>	3 m

## Environmental

<b>Temperature range</b>	-40°C to 85°C
<b>Casing</b>	Non-condensing 65°C 95% RH

## Mechanical drawing (unit:mm)

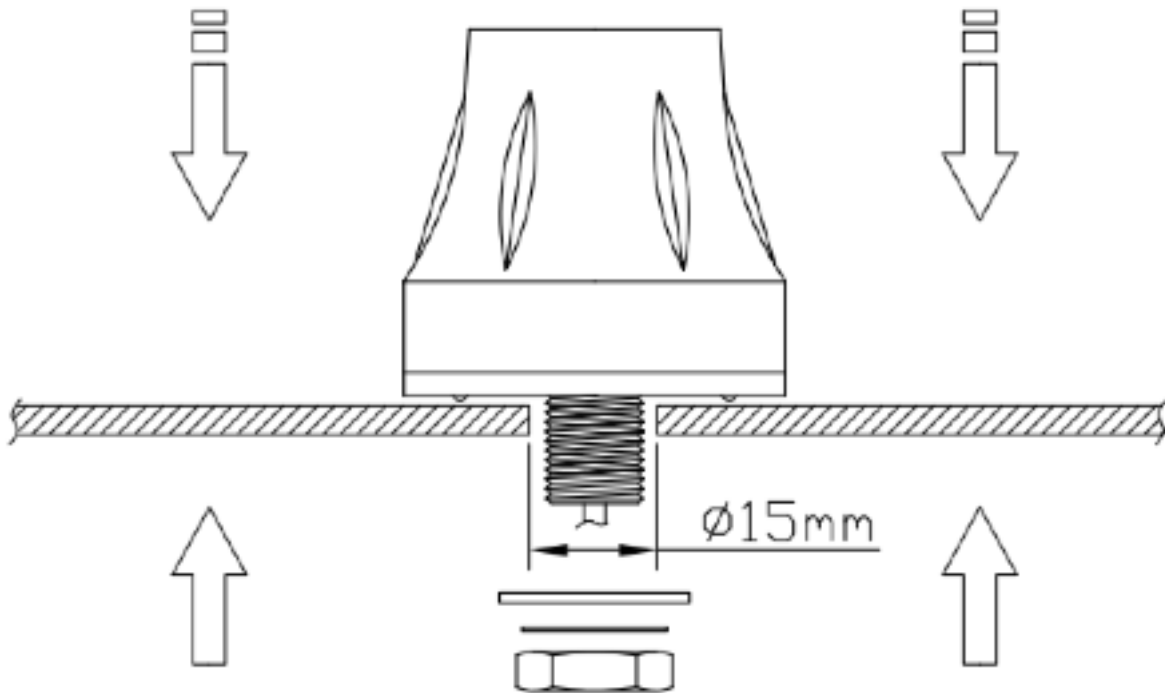
1	Housing Top	ABS Black
2	Housing bottom	ABS Black
3	Gasket	POM Red
4	Multi Tooth Washer	Iron Zinc
5	Nut M12	Copper Nickel
6	CFD200	PVC Black
7	Heat Shrink Tube	PE Black
8	RP-SMA(M)	Brass Gold
9	O-Ring	NBR Black
10	Label	PET White



---

## Mounting Instructions (unit:mm)

---



---

IXON makes no warranties based on the accuracy or completeness of the contents of this document and reserves the right to make changes to specifications and product descriptions at any time without notice. IXON reserves all rights to this document and the information contained herein. Reproduction, use or disclosure to third parties without express permission is strictly prohibited. Copyright © IXON B.V.

---